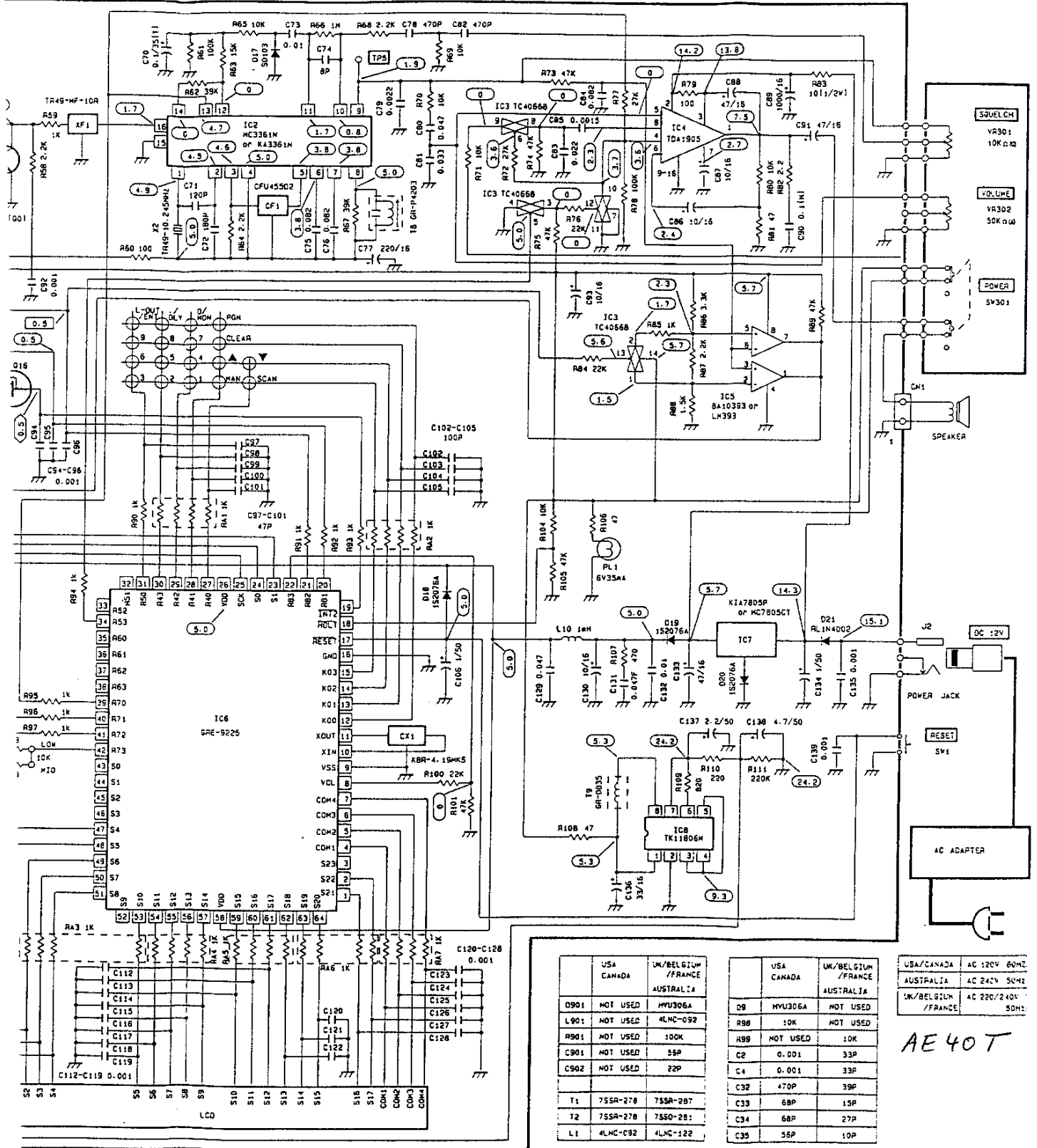


SCHEMATIC DIAGRAM



CONTROL

VOLUME